

Smart Gate - SG303GAL

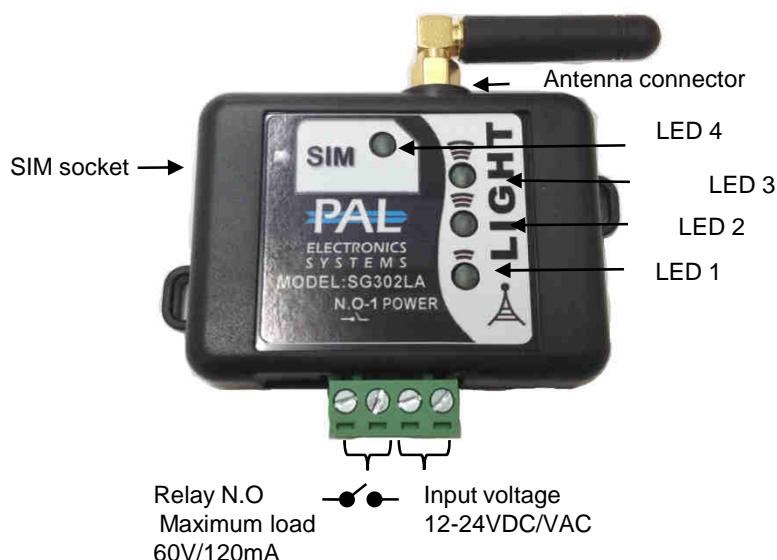
A GSM operated device that opens gates, garage doors, electric locks and barriers by dialing to the gate / door number. When the user number is identified as an authorized user the relay will be closed and the gate will be opened. The unit includes one output – Relay N.O (60V/120mA)

Features and Advantages:

- Can be configured by SMS only (Web management can be achievable in GA model).
- No cost when dialing to the unit.
- Adjustable relay time.
- Very small dimension 70X50 mm
- Can store up to **50** users.
- Optical relay.
- Storing up to 1000 records (Caller log).
- Controlled from any ware.
- 3 LED for signal strength level and one for network connection.

Led display description

LEDs	Explanation
LED 1 blinking	Very poor signal It is not recommended to work at this state
LED 1 steady	Low signal
LED 1 steady LED 2 blinking	Mid signal
LED 1 steady LED 2 steady	Good signal
LED 1 steady LED 2 steady LED 3 steady	Very Good signal
LED 4 blinking	Net connection fails or SIM card malfunction
LED 4 steady	Unit is connected to the net and SIM is identified



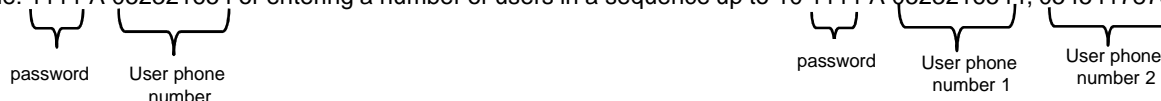
System settings through SMS :

At the beginning of each message, you must enter a four-digit password first (Initial password: 1111).

Enter Authorized User:

First you need to type the password and then **space** and then the letter A **space** and phone number you want. You can also add several users in a sequence.

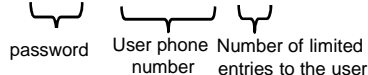
For example: 1111 A 052321654 or entering a number of users in a sequence up to 10 1111 A 0523216544, 0545417878



Entering an authorized user to the system with limited entries:

First you need to enter the password and then space and type the letter A space and phone number you want, Type a space and the letter L and the number of desired entrances to that user.

For example: 1111 A 052321654 L4



* In this example after 4 entries, the number is automatically deleted from the list of approved numbers.

Inserting an authorized user into the system with the choice of hours of entry:

First you need to type your password, and then make a **space** and type the letter A **space** and phone number you want, below you type Space and the T signal and the user-approved logon times.

For example: :1111 A 052321654 T08:00-18:25
password User phone The authorized
number hours for that user

Entering automatically allowed users to the system:

Fill in the list of the authorized in the automatic process, each number that dials the gateway entered the list of authorized automatically, you can set the number of authorized to enter automatically by the SN - command.

For example: :1111 SN 50 * In this example, 50 authorized persons will enter automatically (Unit default).
*This option can be disabled by command 1111 SN 0.

password The number of users who will
log on to the system memory
automatically

Delete a single user from the unit:

Type your password and then make a **space** and type the letter D **space** and the phone number you want to delete. For example: 1111 D 052321654

password The phone number you
want to delete

Delete all users from the system:

First you need to type your password and then **space** to type the word CLEAR.

For example: 1111 CLEAR
password

Change your unit password:

Type the old password and then **space** and type the letters NP, below the **space** to type the new password.

For example: 1111 NP 3333
Old New
password password

Relay closing time change :

Type your password and then **space**, type the letters RD and **space**, type the desired time in seconds.

(Default is one second). For example: 1111 RD 3 * In this example, the relay will close for 3 seconds
password relay closing time in
seconds

Automatic event creation (automatic opening / closing of the relay)

Type the password and then **space**, type the letters EV, **space** and operation desired (NO1 / NC1 / N1) **space** and the hours, **space** days.

For example: 1111 EV NC1 08:00-20:00 1234 * This command will: Close the relay between 08:00 and 20:00 on Sunday to Wednesday.
1111 EV NO1 08:00-17:00 1234567 * This command will: Open the relay between 08:00 and 17:00 on all days of the week.

* Note - When an automatic event is active the system does not respond to user actions (users will not be able to open the gateway).

Inserting an authorized user into the system and opening by sending SMS:

Type your password and then **space**, type the letter A, **space** and phone number you want, add a comma and the letter C and password to open the gateway.

For example, to define a user: 1111 A 0523179977,C1234 Message that the user should send to the system to open: CD 1234.
password A password that the The phone
user has sent to an number of
open session. the desired
user

Canceling all automatic events

Type your password and then **space** to type the letters EV, **space** and CLEAR word.

For example: 1111 EV CLEAR This command will delete all events.

*Note: (1The system operates via a cellular network using GSM technology. In this context, the system's performance is dependent on the existence of coverage for GSM service. Pale Electronics Systems Ltd. is not an end-user to cover the service of the cellular networks, it is the customer's responsibility to ensure that there is cellular network reception in the GSM technology.

(2The system is not water-resistant and humidity and should be installed in a protected area from water and moisture.

(3Connecting a system to an electric lock requires the installation of a dry relay between the engine and the system or alternatively, a suitable relay system must be purchased.